

TR COMFORTLINE II

Height adjustable bathtub



Specifications

Length	2080 mm / 82"
Width	780 mm / 31"
Lift speed	12 mm/s / 0.5 inch/s
Operating height range	650 - 1000 mm / 26" - 40"
Power supply	230 V, 50 Hz, 10A / 110V, 60 Hz
Overall weight (empty)	appr 100 KG / 220 lbs
Water volume	approx. 180 litres / 48 gallons (with a person weighing 80 kg / 175 lbs)



TR Comfortline II - The WELLNESS Bath

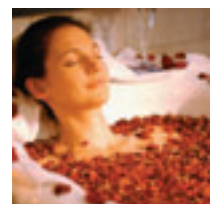
FUNCTIONAL – PRACTICAL – EASY TO USE

The TR Comfortline II is a free standing, height adjustable bathtub designed for a satisfying and relaxed bathing experience. Used in conjunction with the TR9650 CombiLift, the Comfortline is easily accessible from either side or the head end of the bathtub. Attendants will benefit from the Comfortline's ergonomic design and efficient bathing cycle. Simple installation of the Comfortline allows it to be positioned in almost any central bathing area or bathroom.

Controls have been designed with simplicity in mind and the smooth lines makes it easy to clean and maintain.

MORE THAN JUST BATHING – the Comfortline II provides a superior bathing experience

The pleasingly simple design provides a more traditional visual approach to bathing yet it is available with options that can transport the user into soothing bathing experience.



ADJUSTABLE AIR SPA – Air bubbles from integrated jets stimulate blood circulation and provide calming environment for relaxation

LED COLOR LIGHT SYSTEM – The Comfortline's underwater lighting system can be adjusted to project different wavelengths of color providing a soothing effect that creates a pleasant bathing experience.

MUSIC SOUND WAVE SYSTEM – Integrated MP3 player with smart card module and eight speakers provide a relaxing musical mood enhancing environment for the bather. Any MP3 file can be uploaded to the Comfortline, whether it is therapeutic music, relaxing sounds from nature or a bather's favorite piece.



TR EQUIPMENT

TR EQUIPMENT AB
TR GROUP INC.
TR EQUIPMENT UK LTD.

P.O Box 116, S-573 22, TRANÅS, SWEDEN
903 WEDEL LANE, GLENVIEW, ILLINOIS 60025, USA
10 JURY STREET, WARWICK, CV34 4EW, ENGLAND

Phone: +46 140-38 50 60
Phone: 800-752-6900
Phone: +44 844 335 8386

Fax: +46 140-38 50 61
Fax: 847-724-8566
Fax: +44 844 335 8383

Hygiene Equipment Designed for People

www.trequipment.com



TR COMFORTLINE II

Height adjustable bathtub

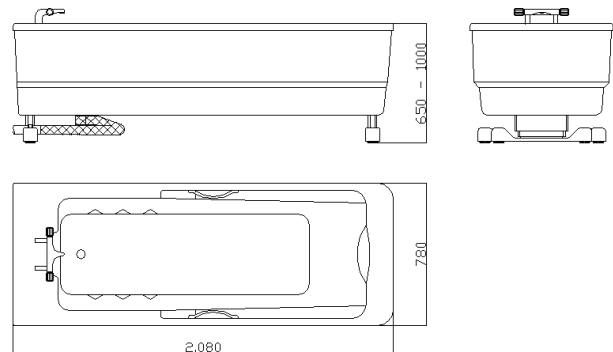


Features

- Innovative and attractive design
- Easy to operate and learn - Quick introduction
- Easy access to the bathtub from three sides
- Compact design for easy placement
- Ergonomic tub shape
- Easy to clean and maintain
- Suitable for mobile transfers (TR 9650 with Stretcher/Chair is recommended.)
- Detached, no wall or floor fixing

Standard Equipment

- Actuators for height adjustment to infinite positions
- Thermostatic mixer with temperature limit
- Hand shower with long hose
- Overflow control and pop-up drainage incl drainage hose
- High quality bathtub with side covers of reinforced fibre glass
- White as standard color
- Two chrome grab handles
- Foot support, adjustable in three positions and removable
- Reinforced hoses for water installation
- Two wide stainless steel legs with adjustable feet



Integrated with the TR 9560 Mobile patient combilift the system provides a safe moving and handling for both patient and attendant. During the bathing cycle the patient never leaves the comfort and security of the chair or stretcher.



Bathtub and bathtub side covers can be delivered in optional RAL - Color

Options/Accessories available for Comfortline II:

- Cleaning/disinfection system
- Autofill with 2 different pre-set levels
- Bathtub and bathtub side covers in optional RAL - Color (Specify RAL code on order)
- Upholstered neck pillow with suction cups
- Fixed height bath - ECOLINE

Wellness Options

- AIR SPA system with integrated jets in the bottom of the tub.
- LED Color Light System with light that changes the water into different colors.
- Music, sound wave system - An integrated MP3 player with a smart card module and eight speakers.

TR reserves the right to make design changes and/or improvements without notice

Distributor:

TR EQUIPMENT

TR EQUIPMENT AB P.O Box 116, S-573 22, TRANÅS, SWEDEN
 TR GROUP INC. 903 WEDEL LANE, GLENVIEW, ILLINOIS 60025, USA
 TR EQUIPMENT UK LTD. 10 JURY STREET, WARWICK, CV34 4EW, ENGLAND

Phone: +46 140-38 50 60
 Phone: 800-752-6900
 Phone: +44 844 335 8386

Fax: +46 140-38 50 61
 Fax: 847-724-8566
 Fax: +44 844 335 8383

Hygiene Equipment Designed for People

www.trequipment.com

